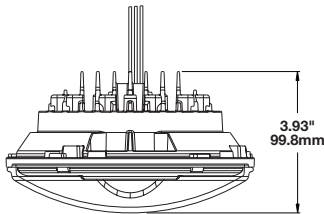
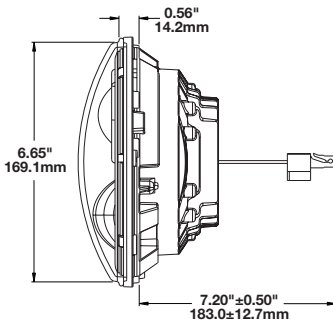
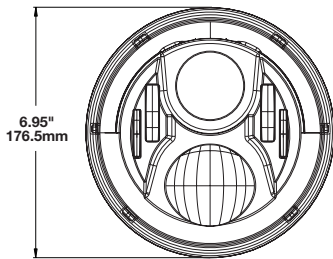




**Headlights Must be Aimed After Installation!**

Headlight must be securely mounted and properly aimed such that the beam pattern "cut off line" complies with all applicable regulations. If you are not familiar with the legal requirements for aiming your headlights, please see a professional service provider. We recommend that headlights are aimed with a headlight aiming system for proper alignment.



Dimensions are for reference only.

**Technical Specifications**

**8700 Evolution 2 with FP & DRL - 12/24V**

12-24V DC Input  
9-32V DC Operating Voltage  
3.00 Amps (High Beam); 2.00 Amps (Low Beam); 1.60 Amps (DRL); 0.16 Amps (Front Position) @ 12V DC  
1.60 Amps (High Beam); 1.10 Amps (Low Beam); 0.80 Amps (DRL); 0.10 Amps (Front Position) @ 24V DC  
Raw Lumen Output: 1,770 (Low Beam); 2,610 (High Beam)  
Effective Lumen Output: 750 (Low Beam); 1,150 (High Beam)  
Transient Spike Protection: 150V Peak @ 1 HZ-100 Pulses

**Wiring**

Black = Ground      Red = Front Position  
White = High Beam    Blue = DRL  
Yellow = Low Beam

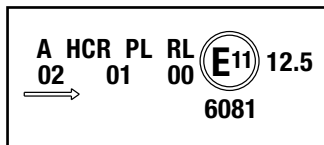
**Standards Compliance**

Buy America Compliant      ECE Reg. 112 (Class B - ECE Versions Only)  
Sealed to IP67                  ECE Reg. 7 (Front Position)  
   ECE Reg. 87 (Daytime Running Light (DRL))



**Lamp Identification**

**ECE LHT Version**



**ECE RHT Version**

