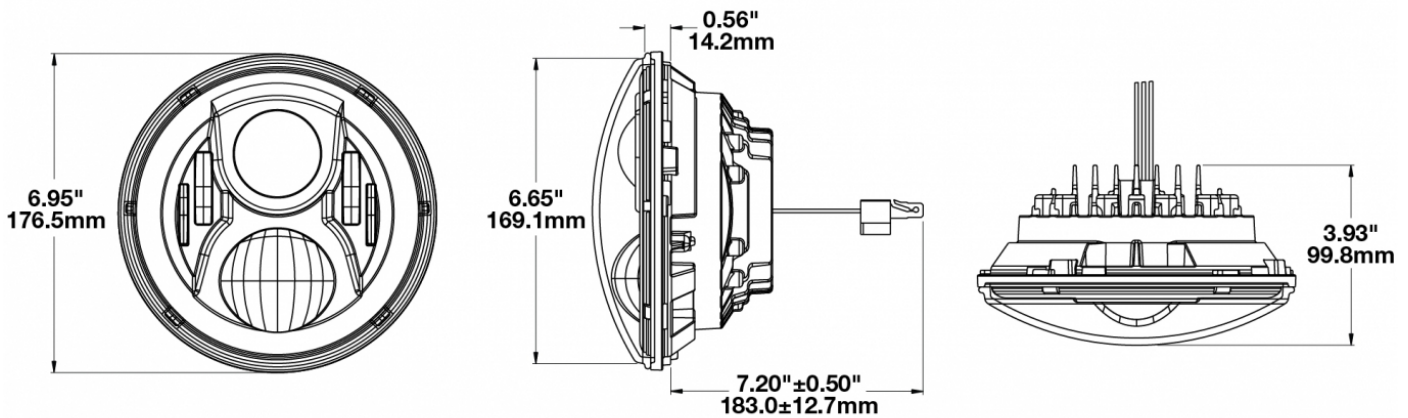




**PRODUCT INFORMATION**

<b>Description</b>	12-24V ECE LED RHT High & Low Beam Headlight with FP, DRL, Black Inner Bezel
<b>Height</b>	176.53 (mm) / 6.95 (in)
<b>Width</b>	252.73 (mm) / 9.95 (in)
<b>Depth</b>	99.82 (mm) / 3.93 (in)
<b>Shape</b>	Round
<b>Outer Lens Material</b>	Polycarbonate
<b>Outer Lens Color</b>	Clear
<b>Housing Material</b>	Aluminum
<b>Housing Color</b>	Gray
<b>Bezel Color</b>	Black
<b>Retrofits</b>	2D1 "PAR56" or 7" round headlights
<b>Minimum Operating Temperature</b>	-40 (°C) / -40 (°F)
<b>Maximum Operating Temperature</b>	65 (°C) / 149 (°F)
<b>Connector or Wiring</b>	H4
<b>Mating Connector</b>	H4 AMP#172615-2
<b>Product Weight</b>	2.31 (lbs) / 1.05 (kgs)

**PRODUCT DIMENSIONS**



**ELECTRICAL SPECIFICATIONS**

<b>Input Voltage</b>	12-24 V DC
<b>Operating Voltage</b>	9-32 V DC
<b>Transient Spike Protection</b>	150V Peak @ 1 HZ-100 Pulses
<b>Black Wire</b>	Ground
<b>Yellow Wire</b>	Low Beam
<b>White Wire</b>	High Beam
<b>Red Wire</b>	Front Position
<b>Blue Wire</b>	DRL
<b>Current Draw</b>	3.00A @ 12V DC (High Beam) 2.00A @ 12V DC (Low Beam) 1.60A @ 24V DC (High Beam) 1.10A @ 24V DC (Low Beam) 1.60A @ 12V DC (DRL) 0.80A @ 24V DC (DRL) 0.16A @ 12V DC (Front Position) 0.10A @ 24V DC (Front Position)

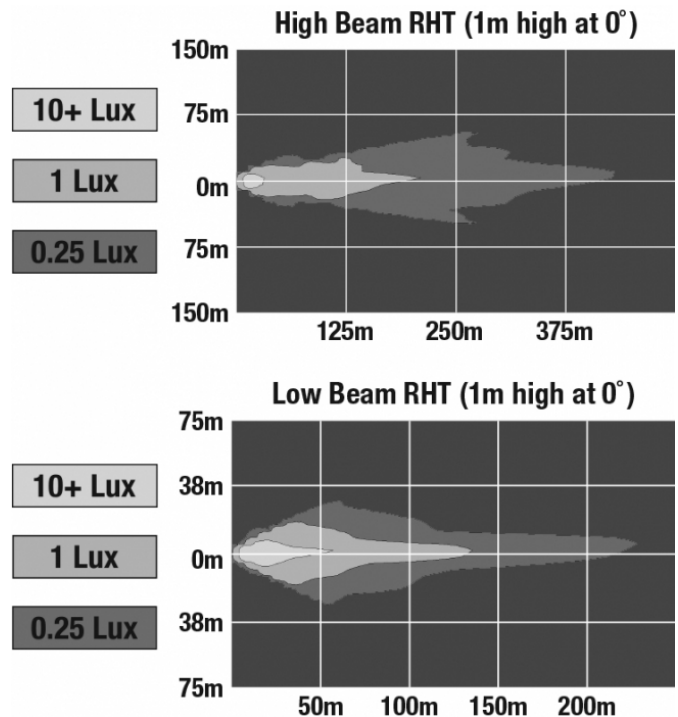
**REGULATORY STANDARDS COMPLIANCE**



Buy America Standards	ECE Reg 112
ECE Reg 7	ECE Reg 87
Eco Friendly	IEC IP67

**PHOTOMETRIC SPECIFICATIONS**

<b>Raw Lumen Output</b>	2,610 (High Beam); 1,770 (Low Beam)
<b>Effective Lumen Output</b>	1,150 (High Beam); 750 (Low Beam)
<b>Candela Output</b>	60,897 (High Beam) 35,003 (Low Beam)
<b>Nominal LED Color Temperature</b>	5000 (K)
<b>Beam Pattern(s)</b>	Forward Lighting - Daytime Running Light Forward Lighting - High Beam (DOT/ECE) Forward Lighting - Low Beam (ECE Right Hand) Signalization - Front Position



## APPLICATIONS



## ADDITIONAL INFORMATION

Headlight must be securely mounted and properly aimed such that the beam pattern cut off line complies with all applicable regulations. If you are not familiar with the legal requirements for aiming your headlights, please see a professional service provider. We recommend that headlights are aimed with a headlight aiming system for proper alignment.

Fits the following vehicles:

1955-1983 Jeep CJ-5

1976-1986 Jeep CJ-7

1981-1985 Jeep CJ-8

1997-2006 Jeep Wrangler (TJ)

2007-2015 Jeep Wrangler 2-Door (JK)

2007-2015 Jeep Wrangler Unlimited 4-Door (JK)

**ACCESSORIES**



[Part Number 3156351](#)

**Mounting Ring Kit for  
8700 Evolution & 8710  
Series**



[Part Number 3156561](#)

**Panel Mount Bucket  
Assembly for 8700  
Evolution & 8710 Series**



[Part Number 3157091](#)

**Black Side Mount Bucket  
Assembly for 8700  
Evolution & 8710 Series**



[Part Number 3266081](#)

**Jumper Harness H4/H13  
for 8700 Evolution &  
8710 Series**



[Part Number 8000311](#)

**Anti-Flicker Harness  
H4/H13 for 8700  
Evolution Series  
Headlights**



[Part Number 8000381](#)

**Anti-Flicker Harness  
H4/H4 for 8700 Evolution  
Series Headlights**

**RELATED PRODUCTS**



[Part Number 0549701](#)

**12-24V DOT LED High & Low Beam Headlight with Black Inner Bezel**



[Part Number 0549711](#)

**12-24V DOT LED High & Low Beam Headlight with Chrome Inner Bezel**



[Part Number 0549721](#)

**12-24V ECE LED LHT High & Low Beam Headlight with FP, DRL, & Black Inner Bezel**



[Part Number 0549731](#)

**12-24V ECE LED LHT High & Low Beam Headlight with FP, DRL, Chrome Inner Bezel**



[Part Number 0549751](#)

**12-24V ECE LED RHT High & Low Beam Headlight with FP, DRL, Chrome Inner Bezel**



[Part Number 0550201](#)

**12-24V ECE LED LHT High & Low Beam Headlight with Black Inner Bezel**



[Part Number 0550211](#)

**12-24V ECE LED LHT High & Low Beam Headlight with Chrome Inner Bezel**



[Part Number 0550221](#)

**12-24V ECE LED RHT High & Low Beam Headlight with Black Inner Bezel**