

# ASFIR™

## Hyundai 4x4

### Tucson



# Tucson

## Professional quality products

Asfir's variety of products is the perfect solution for accessorizing the off road vehicle.

### Skid Plates

Quality skid plates for off road vehicles with one of the highest design, performance and finish standards in the world. Asfir offers a wide variety of skid plates such as front, fuel tank, transfer, air condition, rear bumper and rear bench. The skid plates are made of quality aluminum and are screwed to original holes in the vehicle. Service openings in the skid plates enable servicing the vehicle without dismantling the plates.

### Rear Towing Device

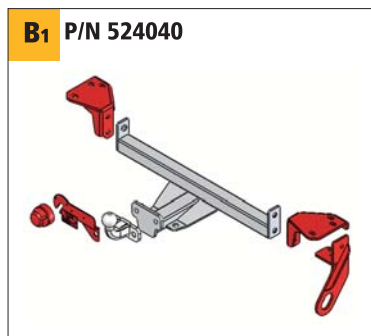
A quality towing device mounted to the vehicle's chassis under the original bumper.

### 4x4 Accessories

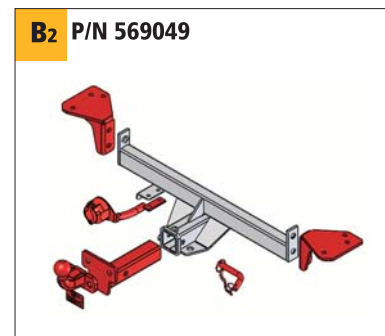
Asfir has a wide variety of accessories such as Recovery Kits, Compressors, Hi Lift Jacks, Recovery Straps, Shackles, Pulley Blocks and Ratchets.



Front/Gear/Transfer skid plate



Towing device



Detachable Towing device