



INSTALLATION GUIDE

FRIDGE SLIDE

Assembly instructions for the Ironman 4x4 fridge slide



x8 M6 x 10mm
Button Head Screws



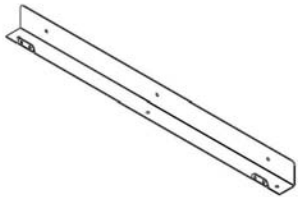
x8 M6 Nylon Nuts



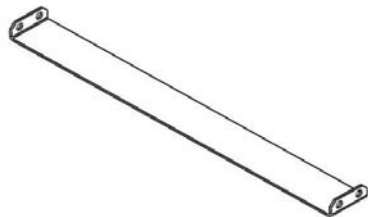
x14 M5 x 10mm CSK
Screws



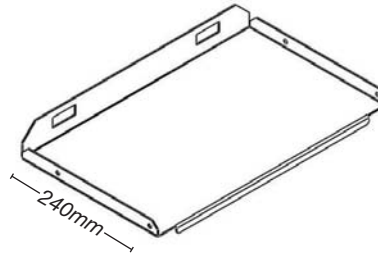
x14 M5 Nylon Nuts



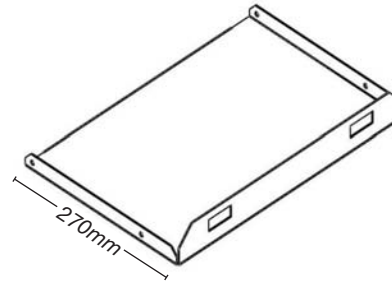
x2 Side Rails



x2 Bottom Rails



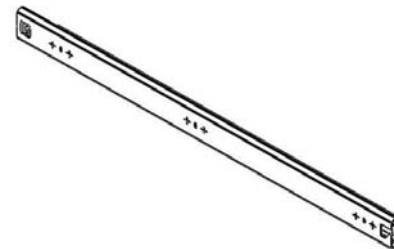
x1 Rear Tray
(Shorter length of 240mm)



x1 Front Tray
(Longer length of 270mm)



x1 RHS Locking
Bearing Slider

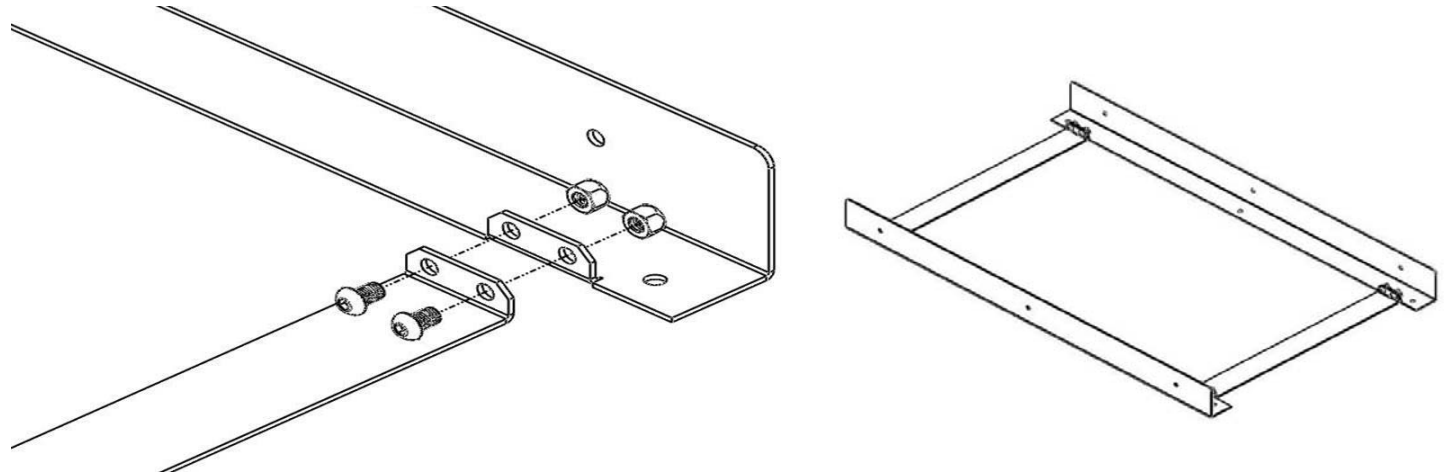


x1 LHS Non-Locking
Bearing Slider



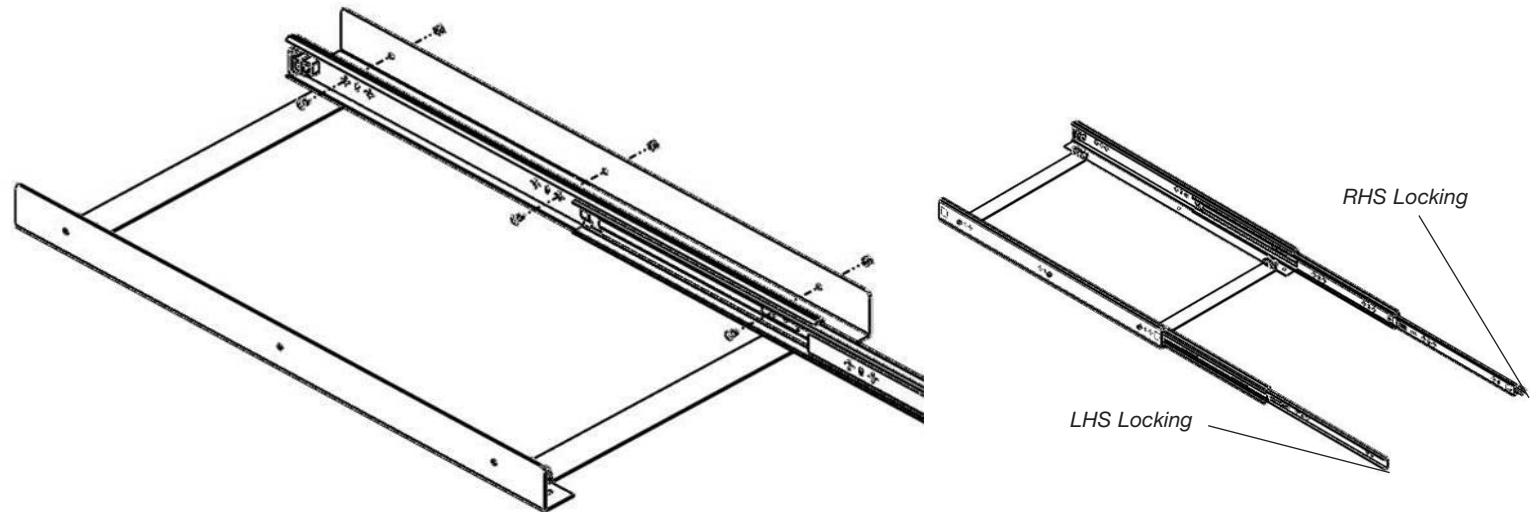
STEP 1

Assemble the side rails to the bottom rails as shown using 2 x M6x10mm Button Head screws and M6 Nylon Nuts.



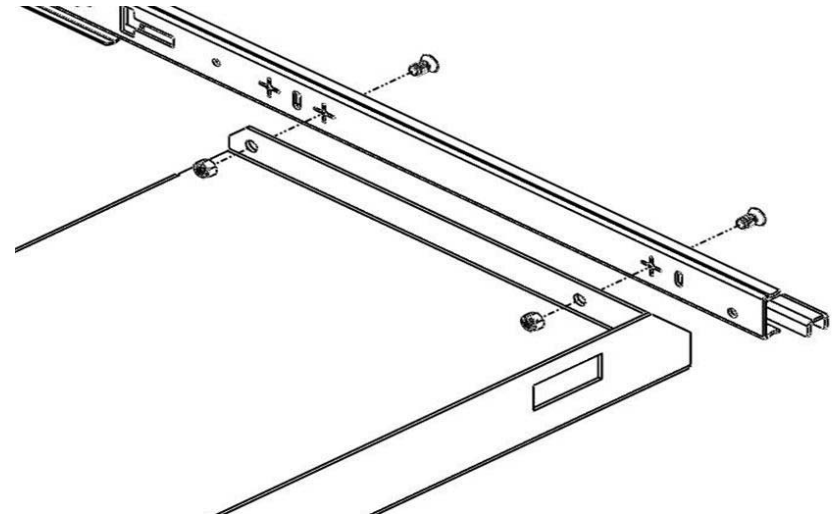
STEP 2

Attach the bearing sliders to the frame assembled in Step 1 using M5x10mm CSK Screws and M5 Nylon Nuts as shown. Access the inside of the bearing slider by extending the slider all the way out as shown.



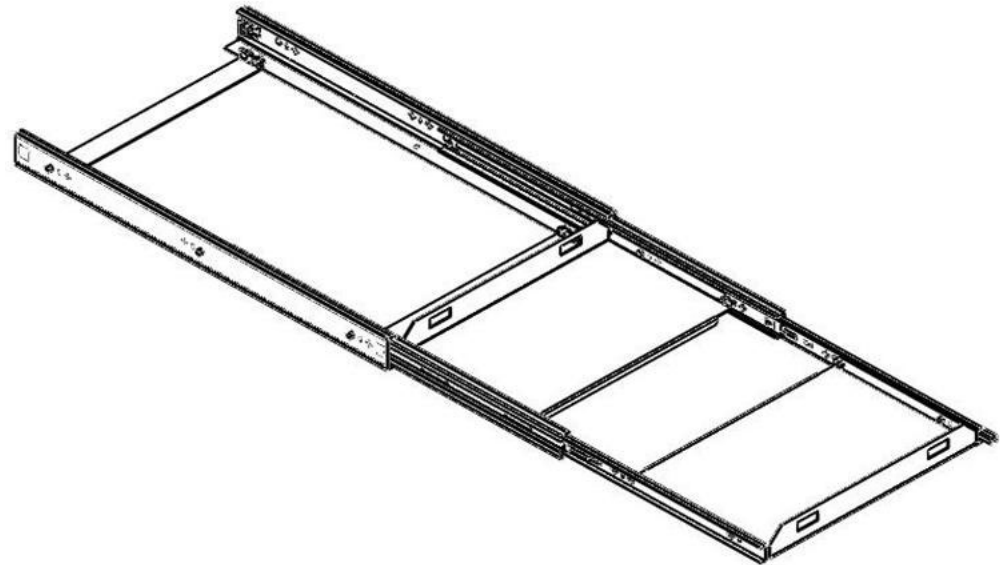
STEP 3

Attach the front and rear trays to the bearing sliders using M5x10mm CSK Screws and M5 Nylon Nuts as shown. Access the inside of the bearing slider by extending the slider all the way out as shown.



COMPLETED

Your finished product should represent this picture.



ADDITIONAL INSTRUCTIONS FOR MOUNTING TO TIMBER TOP DRAWERS OR TIMBER

To enable you to use your fridge side safely, the slide must be anchored down securely to the top of the drawer system.

Follow the steps as shown to install the T Nut Kit to the wooden drawer top to enable you to screw down your fridge slide.

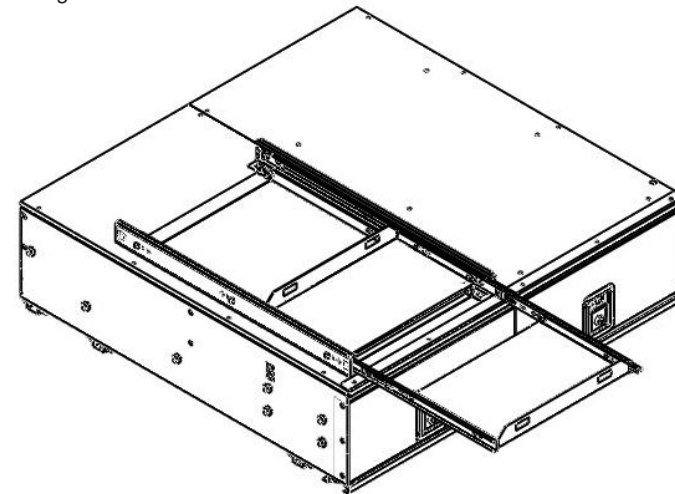
STEP 1

Position your fridge slide in the desired position.

STEP 2

There are 6 x 6.5mm holes in the fridge slide frame base that need to be copied onto the timber drawer top. Either mark, remove the slide and drill OR using a 6mm or 1/4" drill bit, drill through the existing holes in the frame and into the timber below whilst the slide is in position required, ensuring it does not move whilst driving.

Fig 1

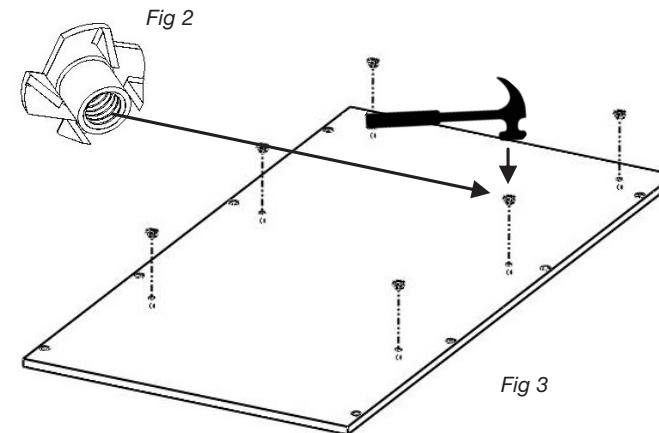


STEP 3

The holes then need to be extended out and re-drilled to 8mm so you can hammer the T Nut (Fig 2) in the hole from the underside of the timber drawer top.

STEP 4

Once the holes are drilled to 8mm turn over the timber top and using a hammer (Fig 3), insert the T Nuts into the hole so the threaded attached cylinder is pointing to the carpeted top of the board. The metal teeth on the T Nut embed into the underside ensuring they do not rotate whilst doing up the screw from the other side.



Install T Nuts to underside of timber panel with a hammer.



ADDITIONAL INSTRUCTIONS FOR MOUNTING TO TIMBER TOP DRAWERS OR TIMBER

STEP 5

Once the holes are drilled and the T Nuts are installed, reinstall the timber top to the drawer system. Reposition the fridge slide to pre-drilled desired position and insert 16mm socket head cap screw (Fig 4) as shown, (Fig 5) to secure fridge slide to timber top.

Tighten firmly.

STEP 6

Your new fridge slide is now safely installed and ready to enjoy.

