



INSTALLATION GUIDE

1000 SERIES DRAWER SYSTEMS



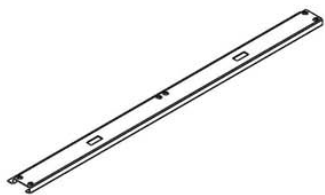


FIG 1
1x Front Rail

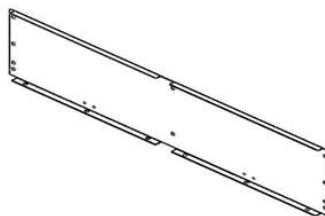


FIG 2
1x Back Panel

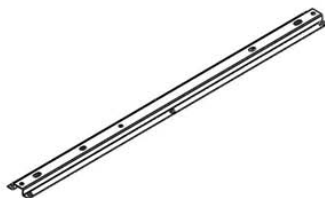


FIG 3
2x 1 Piece Floating Rib



FIG 4
1x Back Rail (BR)

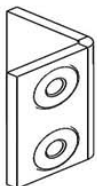


FIG 5
4x Drawer Stoppers

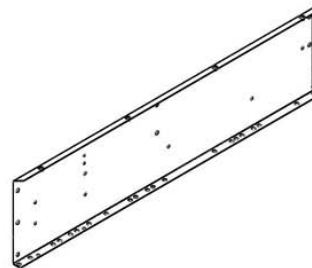


FIG 6
1x Left Hand Panel

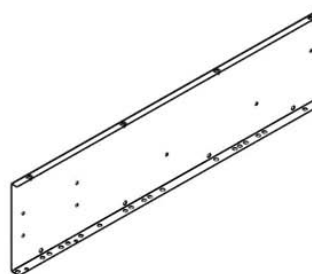


FIG 7
1x Middle Panel

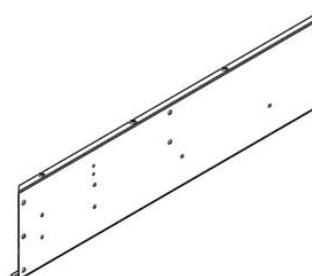


FIG 8
1x Right Hand Panel

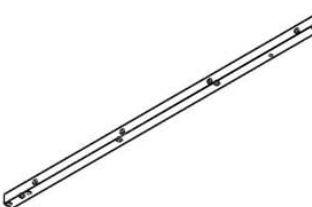


FIG 9
2x Support Brackets

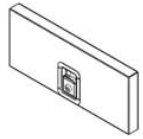


FIG 10
2x Drawer Fronts



FIG 11
4x Drawer Ends

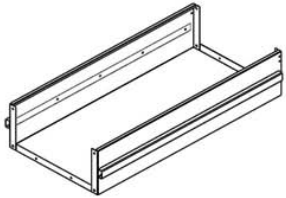


FIG 12
2x Drawer Bodies

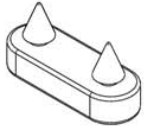


FIG 13
2x Rubber Drawer Stops

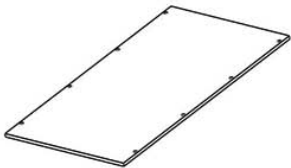


FIG 14
2x Wooden Carpeted Tops



FIG 15
1x Aluminium Front Trim

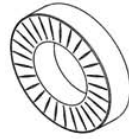


FIG 16
36x 8mm Washers



FIG 17
36x 8mm Bearings



FIG 18
29x 8mm Star Washers

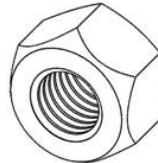


FIG 19
29x 8mm Nylon Nuts



FIG 20
22x M8 x 25mm Bolts



FIG 21
7x M8 x 35mm Bolts



FIG 22
6x 8g x 10mm Screws



FIG 23
12x M6 x 10mm CSK Screws



FIG 24
62x M6 x 16mm CSK Screws

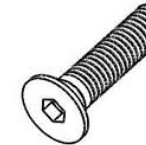


FIG 25
16x M6 x 25mm CSK
s/s Socket Head Screws



FIG 26
8x M6 x 16mm Pan Head Screws



FIG 27
12x 6mm Nylon Nuts



STEP 1

Attach left and right hand panels to front and back rails as shown using M6 x 16mm CSK (FIG 24) Screws in eight (8) places.

NOTE: Position back rail with extra screw holes to outside of frame (Diagram 1).

Position back rail with extra screw holes to outside of frame.

The others are for the rear panel.

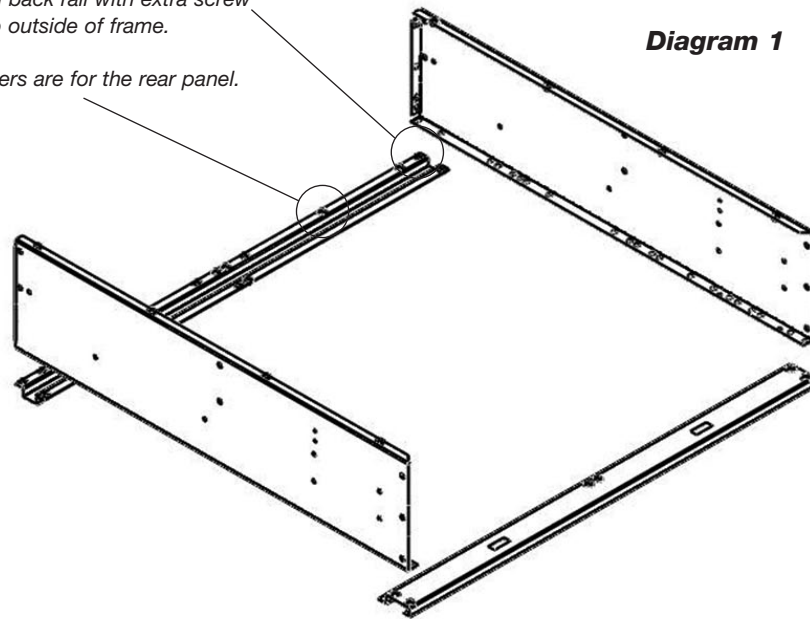
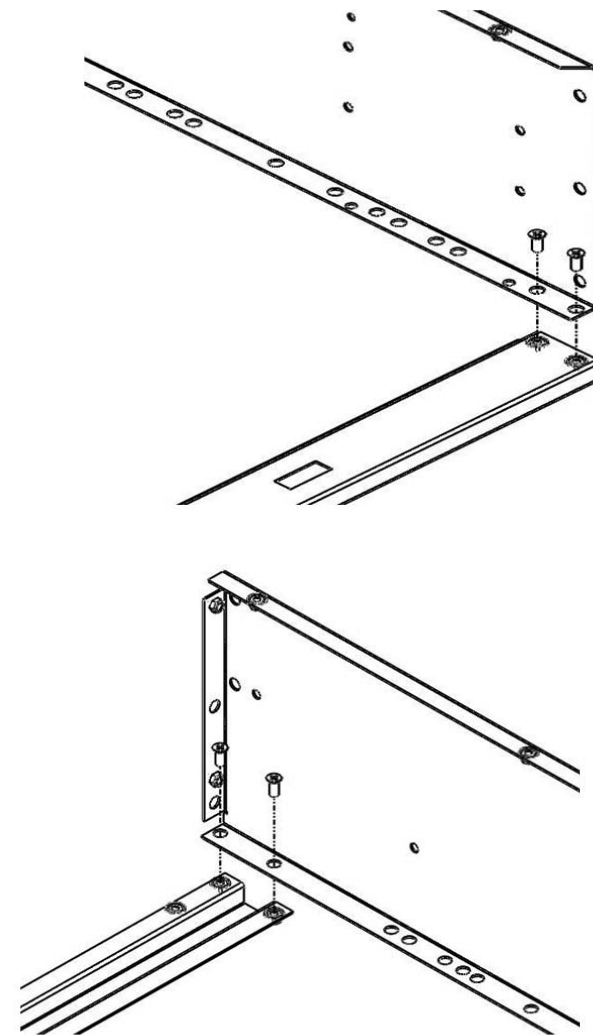
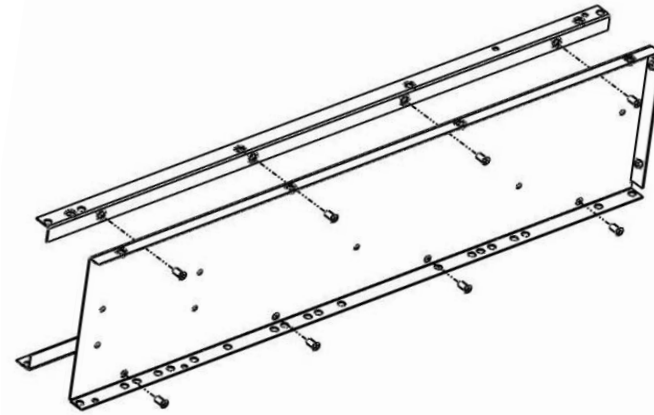


Diagram 1



STEP 2

Attach support brackets to middle panel top and bottom as shown below using M6 x 16mm CSK (FIG 24) screws in eight (8) places.



STEP 3

Attach middle panel to frame as shown below (Diagrams 2 & 3) using M6 x 16mm CSK (FIG 24) screws in six (6) places.

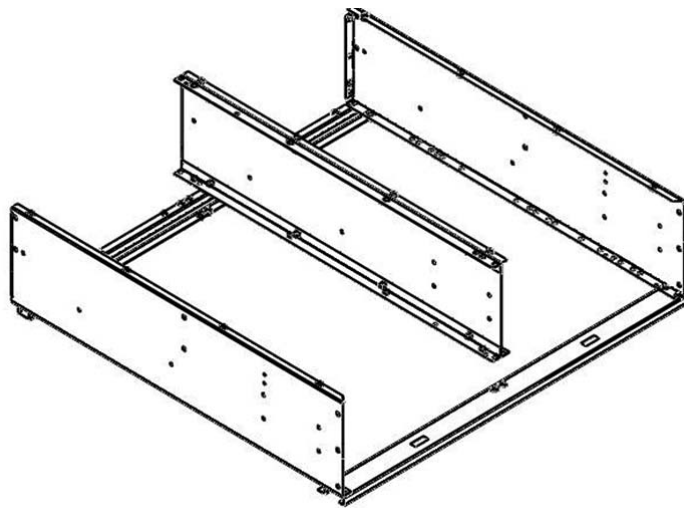


Diagram 2

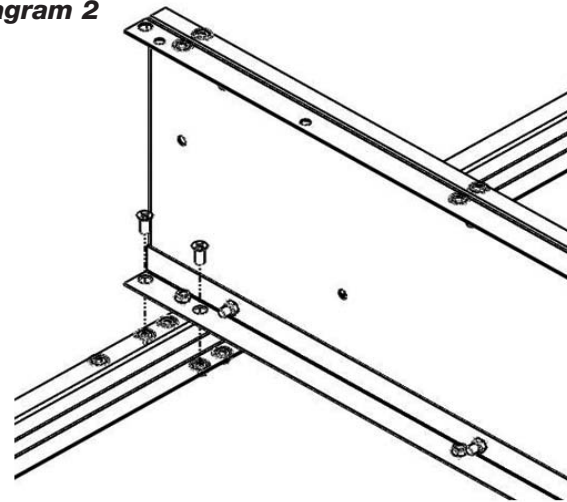
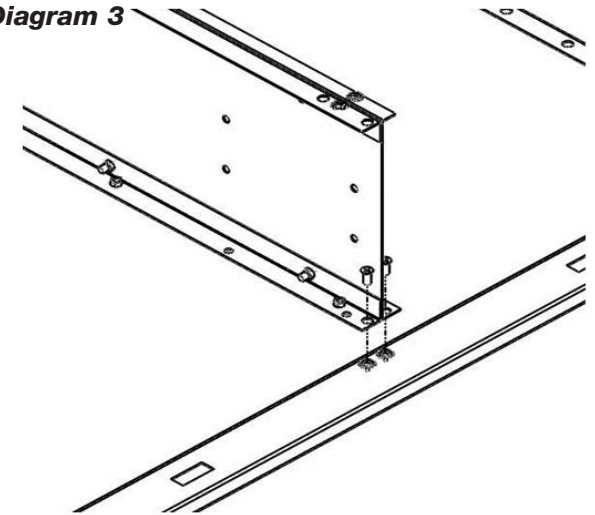
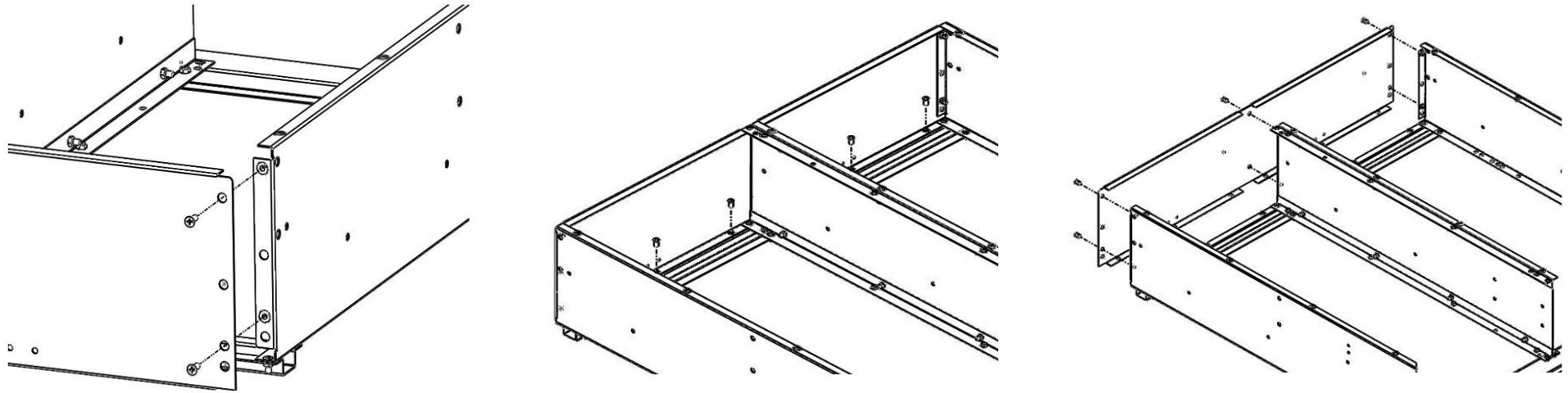


Diagram 3



STEP 4

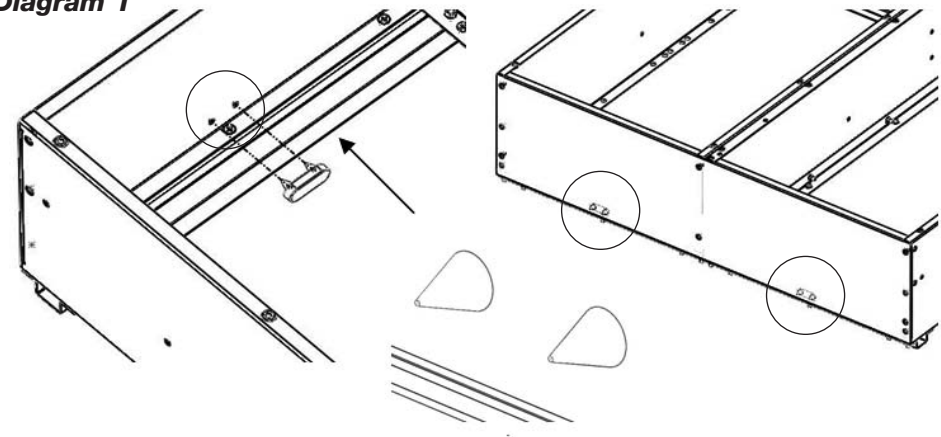
Attach back panel to frame as shown using M6 x 16mm CSK (FIG 24) screws in twelve (12) places.



STEP 5

Attach Rubber Drawer Stops through 6.5mm holes in back panel in two places by pushing arrow head points into holes (Diagram 1) and pulling through gently as not to tear them and so they clip in as shown.

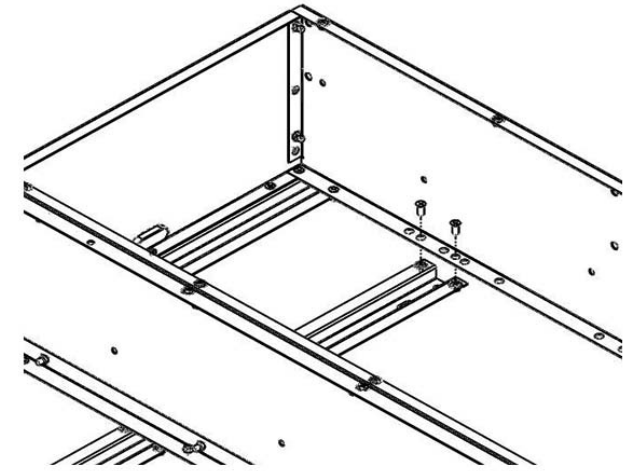
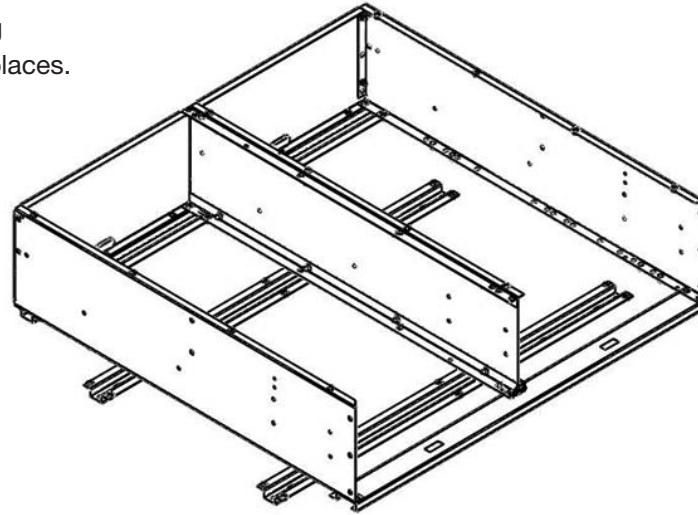
Diagram 1



STEP 6

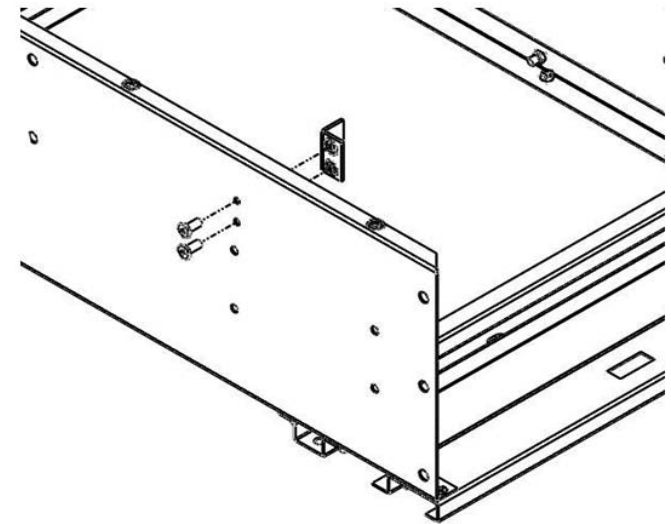
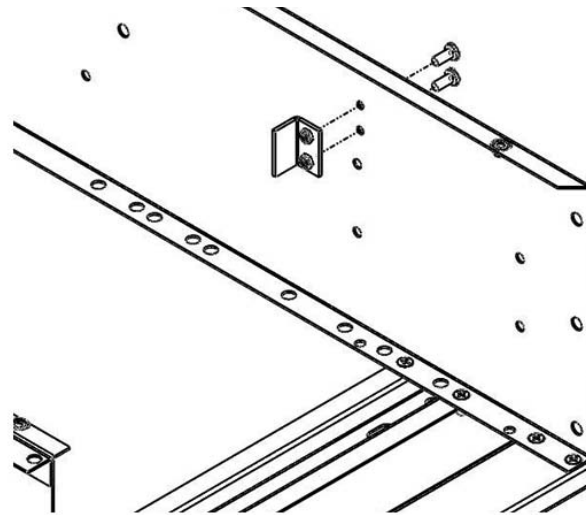
Attach Floating Ribs x 2 to frame as shown using M6 x 16mm CSK (FIG 24) screws in twelve (12) places.

NOTE: Refer to Model Specific spec sheets for Floating Rib locations.



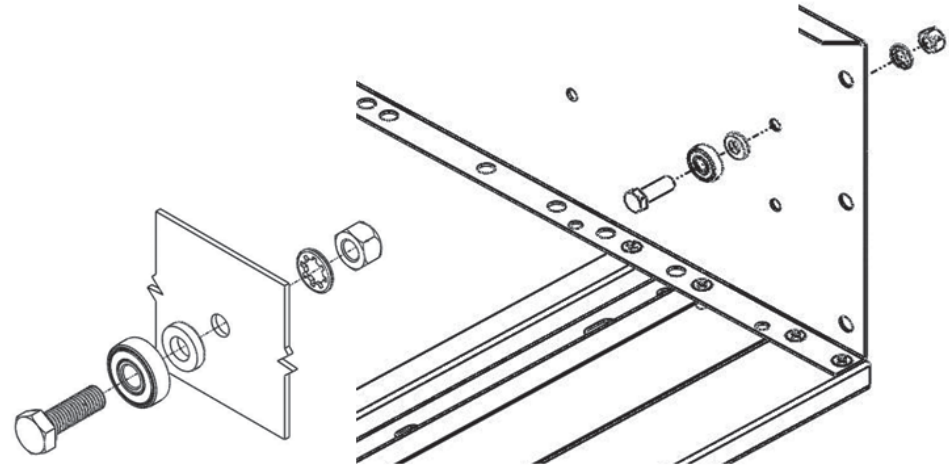
STEP 7

Attach Drawer Stopper brackets to left and right hand panels as shown using M6 x 16mm Pan Head (FIG 26) screws in four (4) places.



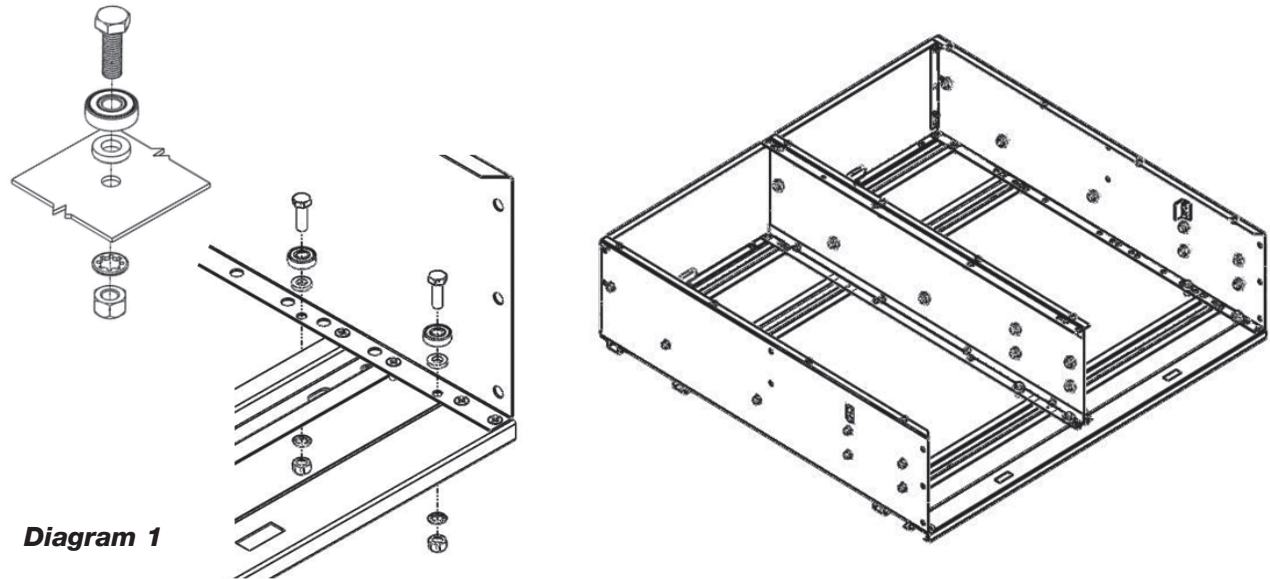
STEP 8

Install bearings to left and right panels as shown using M8 x 25mm Bolt (FIG 20), 8mm Washer (FIG 16), Star Washer, Bearing (FIG 17) and 8mm Nyloc Nut (FIG 19) as per configuration shown in fourteen (14) places.



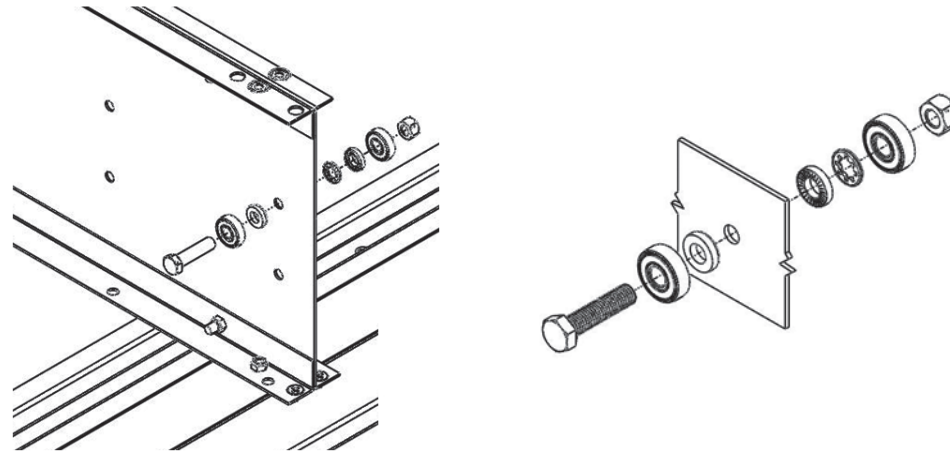
STEP 9

Install bearings to 8mm holes in all bottom flanges of frame as shown (Diagram 1) using M8 x 25mm Bolts (FIG 20), 8mm Washer (FIG 16), Star Washer, Bearing (FIG 17) and 8mm Nyloc Nut (FIG 19) as per configuration shown below in eight (8) places.



STEP 10

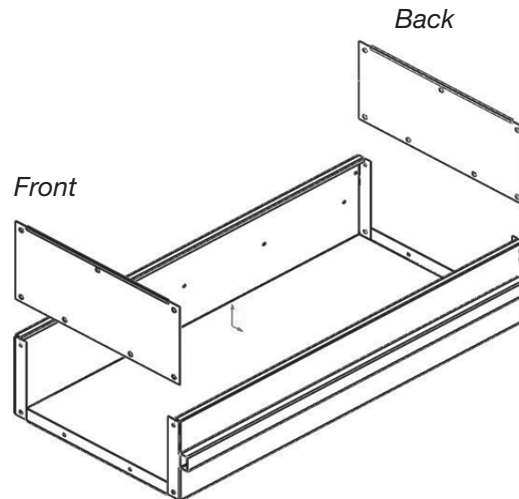
Install bearings to middle panel as shown using M8 x 35mm Bolt (FIG 21), 8mm Washer (FIG 16), Star Washer, Bearing (FIG 17) and 8mm Nyloc Nut (FIG 19) as per configuration shown in seven (7) places.



STEP 11

Assemble drawers by installing drawer ends into drawer carcass.

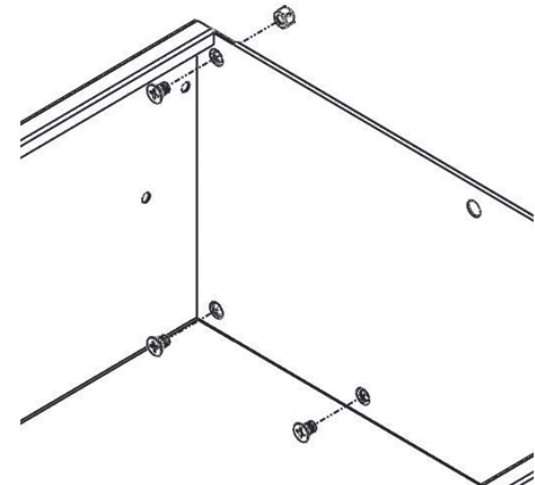
NOTE: Ensure folded lip on drawer end faces outside of drawer carcass.



STEP 12

Attach rear drawer end to carcass using M6 x 10mm CSK (FIG 23) screws as shown in six (6) places on each drawer.

NOTE: To determine back and front of drawer carcass - look for the 6.5mm holes on the sides of drawer. They are towards the **BACK** of the drawer.



STEP 13

Attach drawer fronts to front of carcass using M6 x 16mm CSK (FIG 24) screws as shown (Diagram 1) in seven (7) places on each drawer.

NOTE: These same screws also attach the drawer end to the drawer carcass so make sure drawer end is in place first and screws go through both as shown.

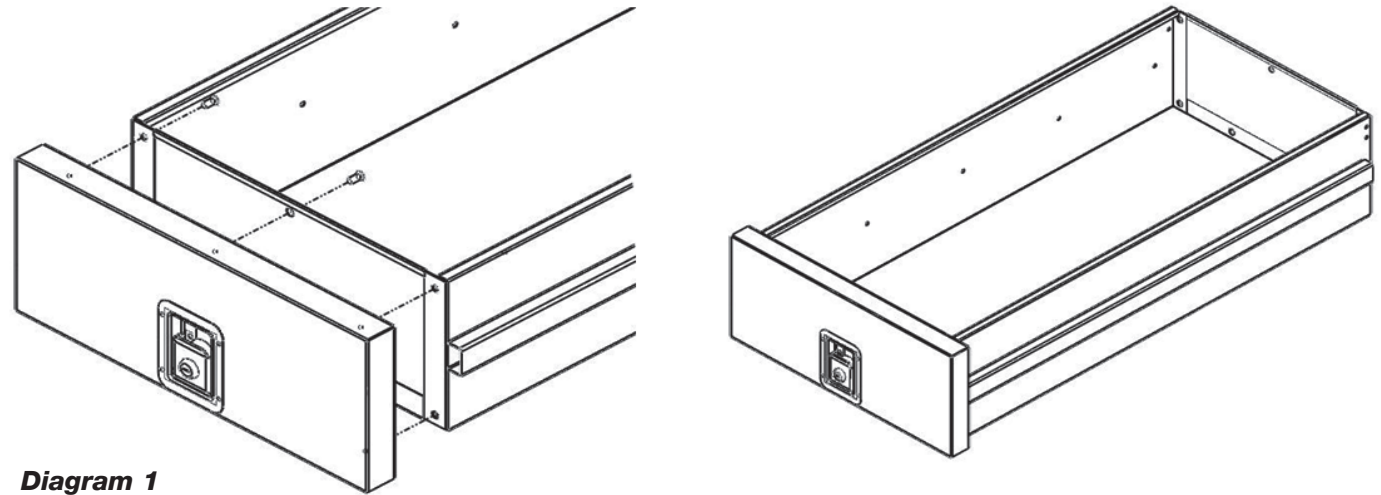
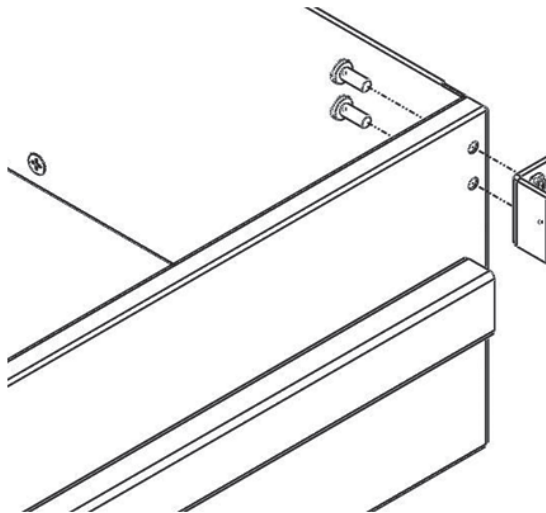


Diagram 1

STEP 14

Insert drawer assembly into frame.



IMPORTANT: IT IS RECOMMENDED TO INSTALL FRAME INTO VEHICLE BEFORE COMPLETING THIS STEP FOR EASE OF INSTALLATION. PLEASE REFER TO PAGES 12-20 FOR YOUR VEHICLE SPECIFIC INFORMATION.

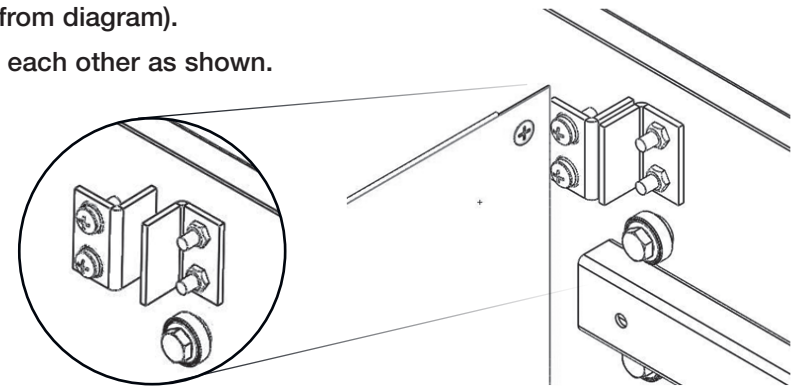
STEP 15

Install Drawer Stoppers to outside of draws using M6 x 16mm Pan Head (FIG 26) screws as shown in two (2) places on each drawer.

NOTE: Ensure drawer is pushed in far enough so that upon installing stoppers they are behind the stoppers already attached to frame. (Drawer missing from diagram).

Also ensure stoppers are attached opposite each other as shown.

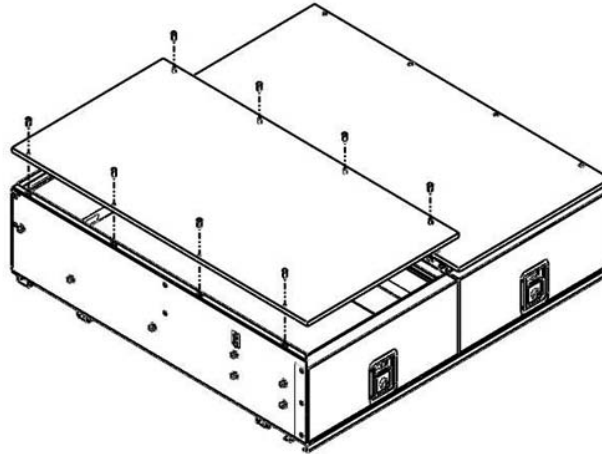
NOTE: This image may confuse as the drawer stop is pictured but the drawer is missing from diagram. The idea is to show how the assembly works and how it looks in situ. So imagine this drawer stop bracket is on the drawer.



STEP 16

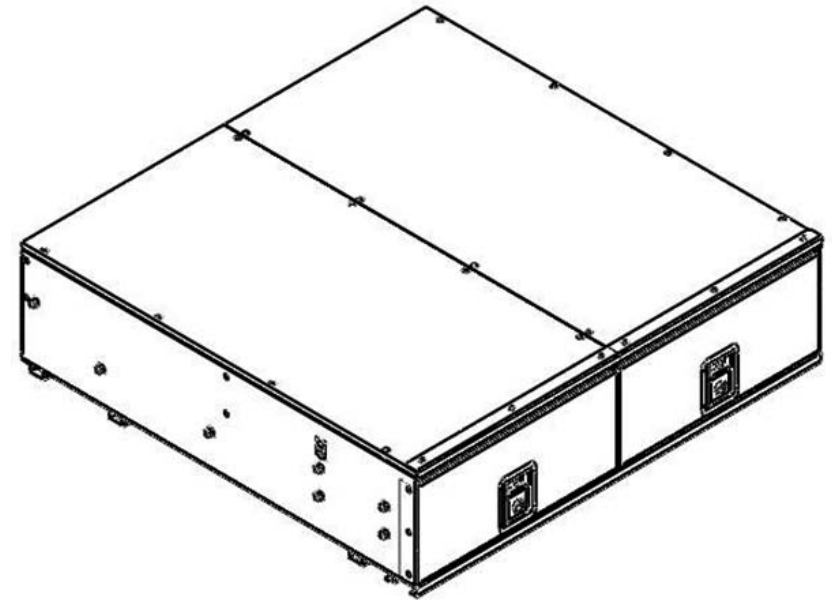
Attach Wooden Carpeted (FIG 14) to top of flanges of frame as shown using M6 x 25mm S/S Socket Head (FIG 25) screws in 16 places.

NOTE: These same screws also attach the drawer end to the drawer carcass so make sure drawer end is in place first and screws go through both as shown.



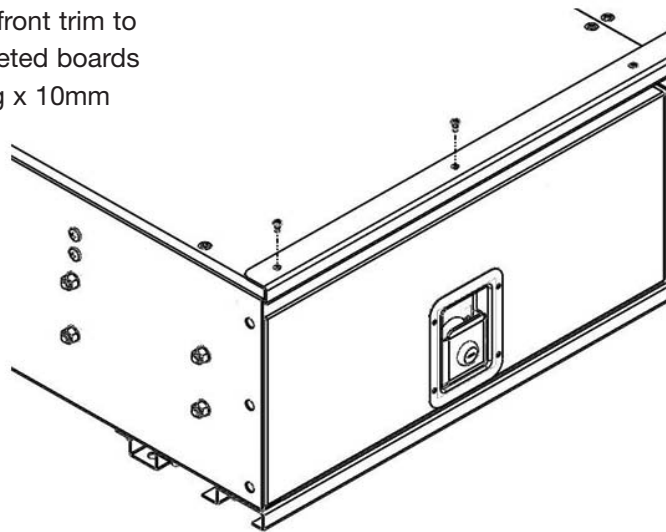
COMPLETED

Your finished product should represent this picture.



STEP 17

Attach aluminium front trim to front edge of carpeted boards as shown using 8g x 10mm (FIG 22) screws.



Hardware Listing

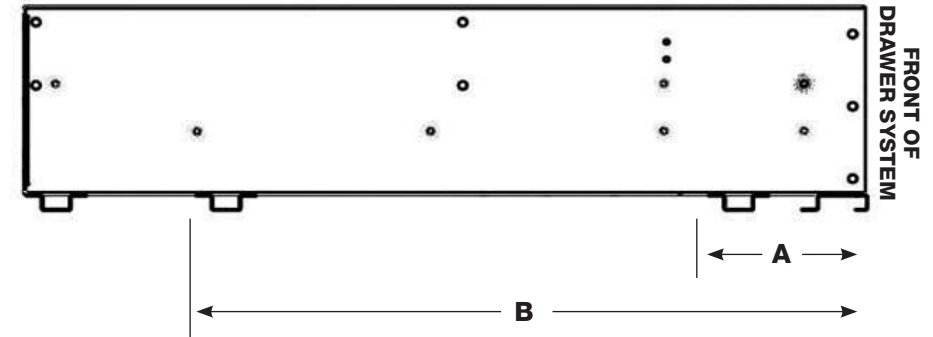
WASHERS	PACKERS	BOLTS	NUTS
4 x M10 x 25mm	4 x 5mm	4 x M10 x 35mm	4 x M10 Nyloc
4 x Mudguard	2 x 10mm	2 x M10 x 40mm	
2 x Patrol Wash	4 x 15mm	2 x M10 x 50mm	
	4 x 20mm		

NOTE: As this system is made to suit multiple vehicles, you will have some hardware left over.

Floating Rib Installation

1. Identify your vehicle information on the Vehicle Mounting Ribs Measurements table opposite. You have by this stage assembled the frame and are now ready to install the specific locations of the floating ribs to the frame to suit your vehicle.
2. You will notice along the inside bottom flange of all bearing panels there are various holes punched, this is where you need to fix the floating ribs in the positions you will get from the Matrix. There are two floating ribs with two different mounting positions. Refer to Diagram 1. Some vehicles may only require 1 floating rib as the front or back rail may be used.
3. Most vehicles will have standard width floating ribs, in some rare cases such a standard 80 Series the floating rib needs to be longer and therefore is sold separately. This is to accommodate vehicle fixing mounts that are outside the system's width, the fixings to the frame remain the same as the positions used in the Matrix.
4. The position measurement (A & B) is taken from the front edge of the lock rail to the rear edge of the floating rib.
5. Your required fixing position of the floating ribs will line up with existing holes.
6. Use M6 x 16mm Pan Head screws provided to mount the floating ribs to frame.

Diagram 1



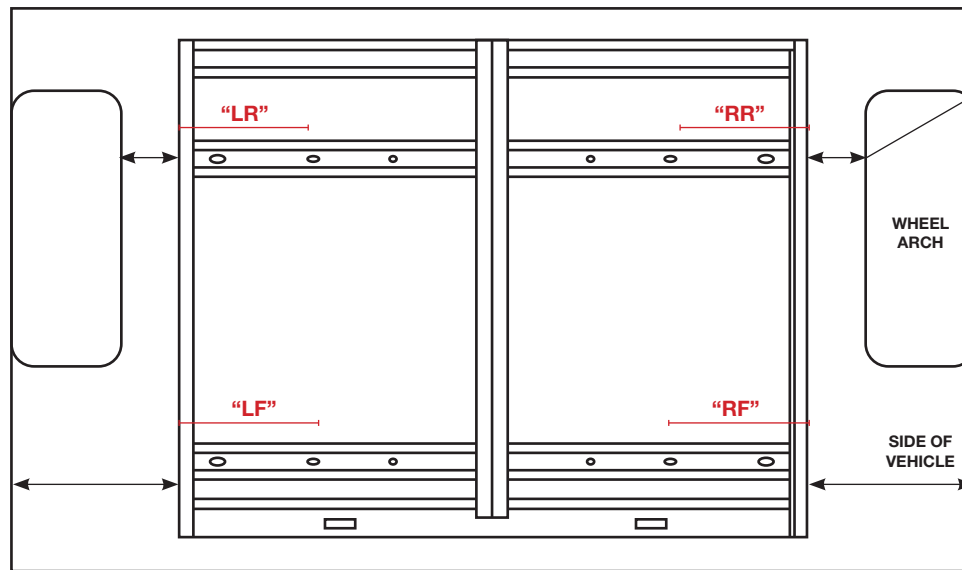
Vehicle Mounting Ribs Measurements

VEHICLE APPLICATION	VEHICLE MODEL	MEASUREMENT "A" (mm)	MEASUREMENT "B" (mm)
Toyota Landcruiser 80 Series	Standard/Barn Doors (1990-97)	192	803
Toyota Landcruiser 80 Series	GXL, Sahara (1990-97)	435	803
Toyota Landcruiser 100 Series	GXL, VX, Sahara (1998-07)	296	801
Toyota Landcruiser 100 Series	Standard (1998-07)	450	801
Toyota Landcruiser 200 Series	GXL, VX, Sahara (2008+)	489	801
Nissan GQ Patrol	DX, ST, Ti	182	710
Nissan GU Patrol	DX, ST, ST-S, STL, Ti	199	782



Locating & Centralising The Drawer System

1. Prepare the vehicle removing any seats and obstructions. Refer to Pages 17-20 for your vehicle specific instructions.
2. For vehicles with existing mounting points, locate these and align the holes in the floating ribs.
3. For vehicles with no existing mounting points, refer to your vehicle specific instructions.
4. Centralise the Drawer System in your vehicle by taking a reference measurement on the vehicle such as the side panels or wheel arches. Ensure dimensions are equal both sides. This will put the frame where it needs to be and the floating ribs hole positions should now be visible and accurate. This is more critical when you intend to install a wing kit at a later date.
5. Using the measurement provided in the Matrix for LF/RF & RR/RF (on Page 14), locate the existing holes in the floating ribs. In most cases these should line up with existing bolt holes in the floor. Fix the drawer system to your vehicle using these four locations and the prescribed install REF as per Hardware Listing.
6. At this point only tighten bolts to finger tight. Check again for centralising and when correct, tighten down.



REAR OF VEHICLE

NOTE: To help centralise the unit, use a tape measure to position the frame using the side panels, the wheel arches or a similar reference point on each side.

IMPORTANT: Refer to Matrix for vehicle specific floating rib measurements.



Hardware Location Matrix

MAKE	VEHICLE	MODEL	LF	RF	LR	RR
Toyota	Landcruiser 80 Series	Standard/ Barn Doors (1990-97)	40	40	225	225
Toyota	Landcruiser 80 Series	GXL, Sahara (1990-97)	225	225	225	225
Toyota	Landcruiser 100 Series	Standard (1998-07)	13	13	225	225
Toyota	Landcruiser 100 Series	GXL, VX, Sahara (1998-07)	225	225	225	225
Toyota	Landcruiser 200 Series	GXL, VX, Sahara (2008+)	218	218	218	218
Nissan	GQ Patrol	DX, ST, Ti	71	71	71	351
Nissan	GU Patrol	DX, ST, ST-S, STL, Ti	60	60	222	222



Hardware Listing

VEHICLE APPLICATION	VEHICLE MODEL	HARDWARE USED "LF" (mm)	HARDWARE USED "RF" (mm)	HARDWARE USED "LR" (mm)	HARDWARE USED "RR" (mm)
Toyota Landcruiser 80 Series	Standard/ Barn Doors (1990-97)	M10 x 35mm Bolt M10 x 25mm Washer 5mm Packer Mudguard Washer M10 Nyloc REF 5	M10 x 35mm Bolt M10 x 25mm Washer 5mm Packer Mudguard Washer M10 Nyloc REF 5	M10 x 35mm Bolt M10 x 25mm Washer 5mm Packer Mudguard Washer M10 Nyloc REF 5	M10 x 35mm Bolt M10 x 25mm Washer 5mm Packer Mudguard Washer M10 Nyloc REF 5
Toyota Landcruiser 80 Series	GXL, Sahara (1990-97)	M10 x 35mm Bolt M10 x 25mm Washer 5mm Packer REF 1	M10 x 35mm Bolt M10 x 25mm Washer 5mm Packer REF 1	M10 x 35mm Bolt M10 x 25mm Washer 5mm Packer REF 1	M10 x 35mm Bolt M10 x 25mm Washer 5mm Packer REF 1
Toyota Landcruiser 100 Series	Standard (1998-07)	M10 x 35mm Bolt M10 x 25mm Washer 15mm Packer REF 1	M10 x 35mm Bolt M10 x 25mm Washer 15mm Packer REF 1	M10 x 35mm Bolt M10 x 25mm Washer 15mm Packer REF 1	M10 x 35mm Bolt M10 x 25mm Washer 15mm Packer REF 1
Toyota Landcruiser 100 Series	GXL, VX, Sahara (1998-07)	M10 x 35mm Bolt M10 x 25mm Washer 20mm Packer REF 1	M10 x 35mm Bolt M10 x 25mm Washer 20mm Packer REF 1	M10 x 35mm Bolt M10 x 25mm Washer 20mm Packer REF 1	M10 x 35mm Bolt M10 x 25mm Washer 20mm Packer REF 1

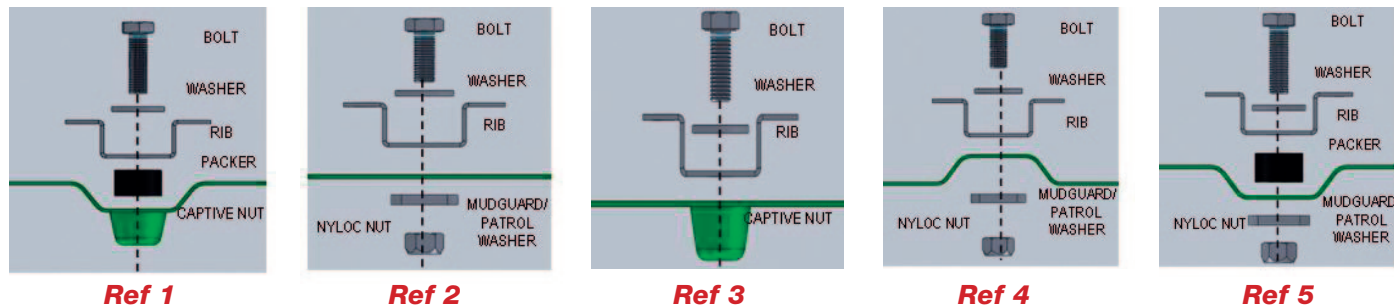
CONTINUED OVER PAGE...



Hardware Listing

VEHICLE APPLICATION	VEHICLE MODEL	HARDWARE USED “LF” (mm)	HARDWARE USED “RF” (mm)	HARDWARE USED “LR (mm)	HARDWARE USED “RR” (mm)
Toyota Landcruiser 200 Series	GXL, VX, Sahara (2008+)	M10 x 40mm Bolt M10 x 25mm Washer 20mm Packer REF 1	M10 x 40mm Bolt M10 x 25mm Washer 20mm Packer REF 1	M10 x 50mm Bolt M10 x 25mm Washer 25mm Packer REF 1	M10 x 50mm Bolt M10 x 25mm Washer 25mm Packer REF 1
Nissan GQ Patrol	DX, ST, Ti	M10 x 35mm Bolt M10 x 25mm Washer 5mm Packer Patrol Washer M10 Nyloc REF 5	M10 x 35mm Bolt M10 x 25mm Washer 5mm Packer Patrol Washer M10 Nyloc REF 5	M10 x 35mm Bolt M10 x 25mm Washer 5mm Packer Mudguard Washer M10 Nyloc REF 5	M10 x 35mm Bolt M10 x 25mm Washer 5mm Packer Mudguard Washer M10 Nyloc REF 5
Nissan GU Patrol	DX, ST, ST-S, STL, Ti	M10 x 35mm Bolt M10 x 25mm Washer 10mm Packer Patrol Washer M10 Nyloc REF 5	M10 x 35mm Bolt M10 x 25mm Washer 10mm Packer Patrol Washer M10 Nyloc REF 5	M10 x 35mm Bolt M10 x 25mm Washer 15mm Packer Mudguard Washer M10 Nyloc REF 5	M10 x 35mm Bolt M10 x 25mm Washer 15mm Packer Mudguard Washer M10 Nyloc REF 5

Hardware Application Reference



VEHICLE PREPARATION

TOYOTA Landcruiser 80 Series - Standard/ Barn Doors (1990-97)

1. Center drawer system in the rear of vehicle.
2. Align front of draw system to the screw holes in the plastic trim in rear door opening.
3. Mark the holes positions making sure the front two piece floating rib uses the holes outside the drawer system.
4. Drill the holes marked taking care not to damage under floor components eg. wiring harness, fuel lines, etc.
5. Use the Matrix to determine bolts and bolt locations.

TOYOTA Landcruiser 80 Series - GXL, Sahara (1990-97)

1. Remove rear seats.
2. Remove rear seat mounts from floor and refit inside bolts.
3. The floating ribs will need to line up with rear seat mounting points.
4. Place a packer under the floating ribs as shown. This is to be done on each of the four fixing points.



TOYOTA Landcruiser 100 Series - Standard/ Barn Doors (1998-07)



1. Remove plastic trim as shown.



2. Pull back vinyl floor to expose plastic plugs. Remove plugs to expose captive nuts in the floor.

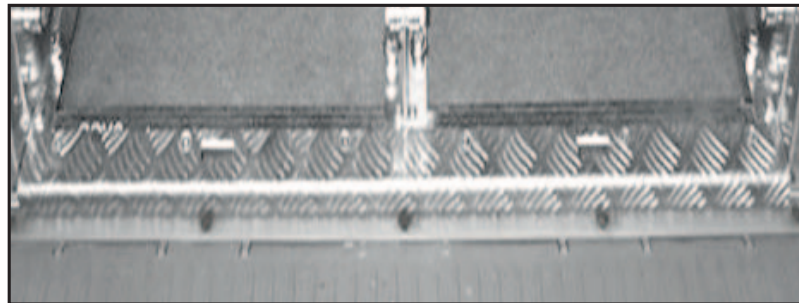


3. Drawer system can now be installed (Vinyl floor covering can be left out of vehicle or drilled through to allow bolts to be fitted).

TOYOTA Landcruiser 100 Series - GXL, VX, Sahara (1998-07)



1. Remove rear seats and remove seat mounting points.



2. Position the drawer system just behind the gap in the plastic trim (just over screw holes in plastic trim as shown).



3. The floating ribs will need to line up with existing rear seat mounting points in the vehicle floor. Place a packer under the floating ribs as shown. This is to be done on each of the four fixing points.

TOYOTA Landcruiser 200 Series - GXL, VX, Sahara (2008+)



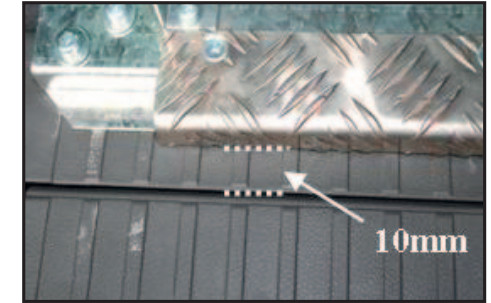
1. Remove rear seats and seat belts.



2. Remove all floor mounting points and refit four inner bolts.



3. If you have the Sahara model you will need to trim the plastic slightly to allow for bolts and packers to be fitted

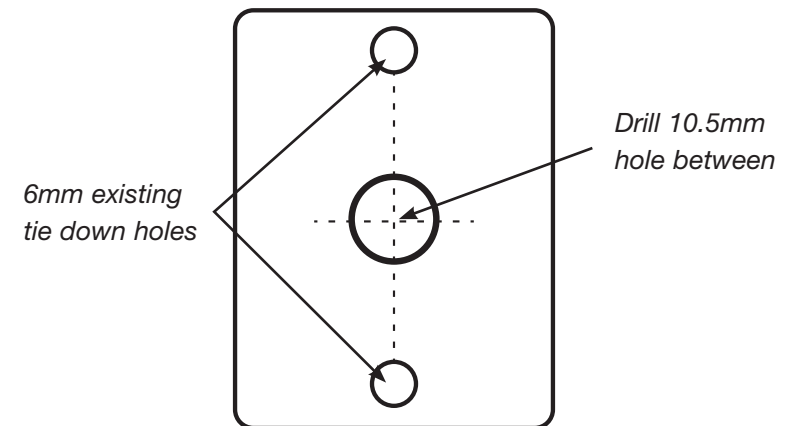


3. Position drawer system 10mm back from gap in plastic trim as shown.

NISSAN GQ Patrol - DX, ST, Ti

1. Remove rear most tie down points from cargo area.
2. Mark the exact center between the two 6mm holes from where tie down points were removed and drill a 10.5mm hole as per Diagram 2. Care must be taken not to damage under floor components eg. wiring harness, fuel lines, etc.
3. Place drawer system in cargo area so that mounting holes in front floating rib line up with 10.5mm holes drilled in previous step.
4. Place 10mm x 30mm bolts with washers through holes and ensure drawer system is located centrally in cargo area.
5. Drill through mounting holes in rear floating rib.
6. Insert 10mm x 30mm bolts and washers through rear floating rib into vehicle floor.
7. From under floor install Nyloc nuts and body washers to all four bolts and tighten.

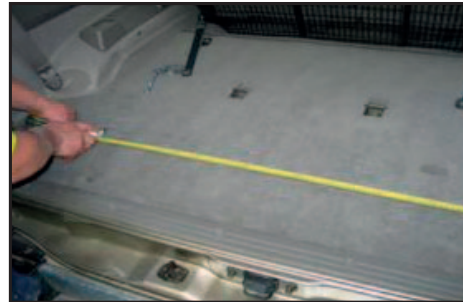
Diagram 2



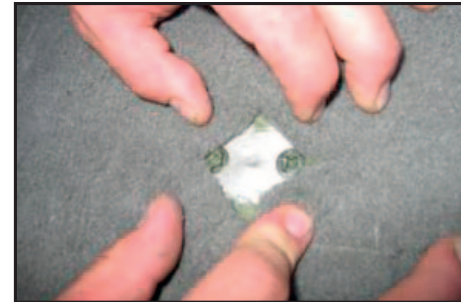
NISSAN GU Patrol - DX, ST, Ti



1. Remove rear seats (if applicable) and any other obstructions from floor. Remove rear most tie down on drivers side as shown.



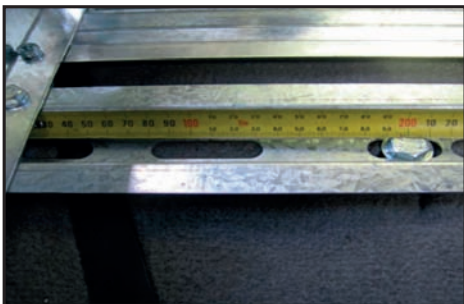
2. From the center of the tie down removed measure 900mm towards passenger side (below the carpet is another tie down point - feel through the carpet to locate). Once tie down point is located cut a cross and pull back carpet to expose this tie down point.



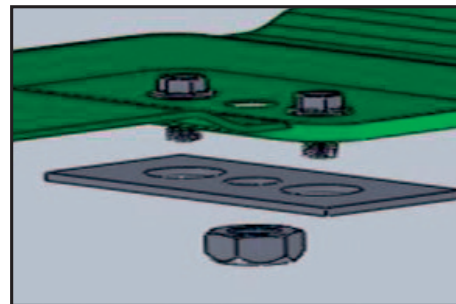
3. Once tie down points are exposed, drill a pilot holes centrally between the two screws. Now drill out to 10.5mm.



4. Place the drawer system in the cargo area of vehicle and align floating rib with the holes drilled in previous step. Centralise drawer system.



5. On rear mounting rib, measure 222mm from outside of drawer system and drill a pilot hole. TAKE CARE ON DRIVERS SIDE AS BRAKE LINE IS VERY CLOSE. Drill out to 10.5mm. Prop drawer system up to allow access to carpet under rib so carpet can be cut and folded back as per step 2.



6. Fasten drawer system in place. Rear floating rib utilises the Partol Washer with 3 holes underneath the vehicle. You may need to remove the rubber caps over the screws either side of the bolt and brush off any dirt or residue over the screws to get the washer to sit flat against the vehicle floor.